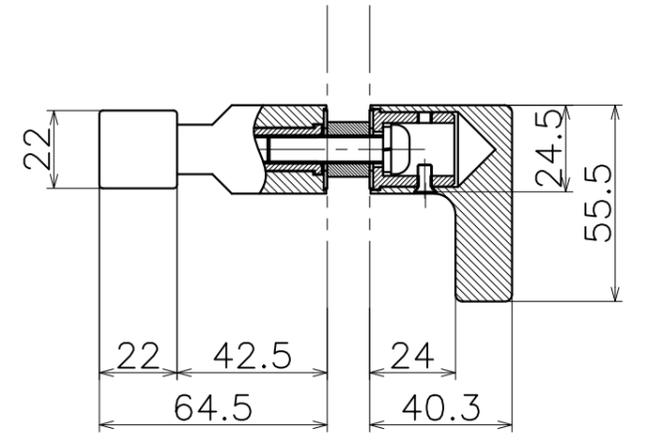
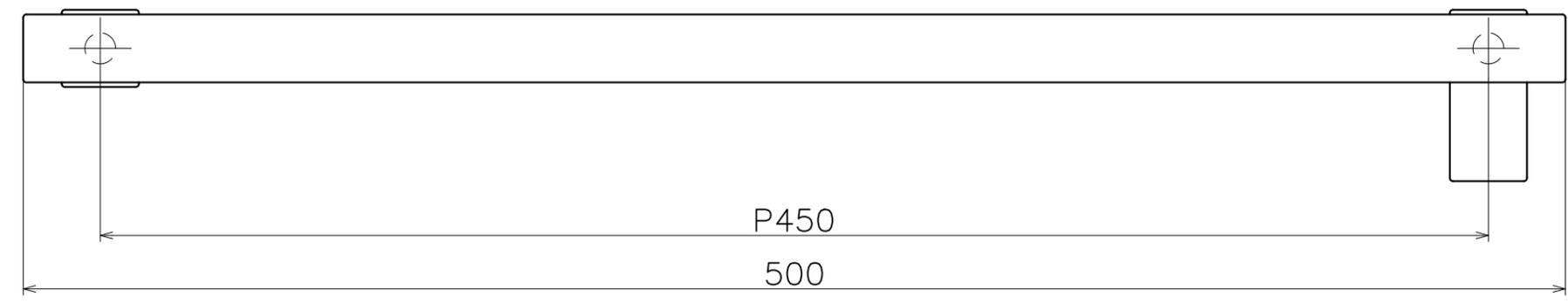
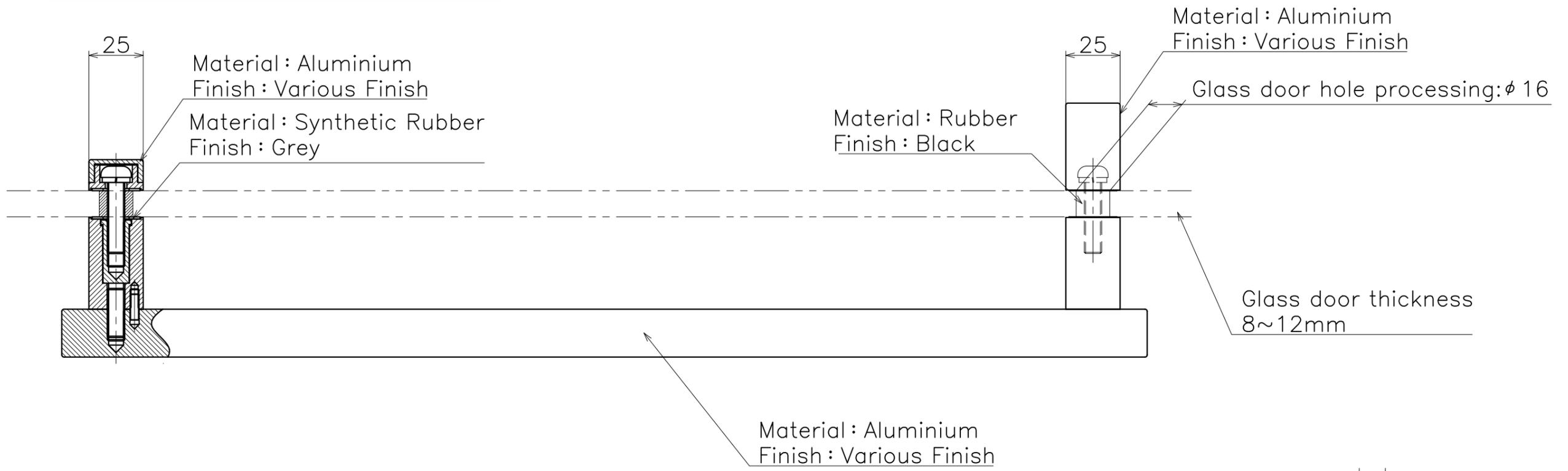


SH-016-XX-3

Ver	Date	Engineering change notice	Dwg	App
1	0000/00/00	新規出図	Y.Aizawa	Y.Aizawa

Finish:Leg	Finish:Grip	Code
Blasted Black	Blasted Black	SH-016-XK-3
Satin Bronze	Satin Bronze	SH-016-3U-3



(S=1:2)

Product name	Name	Code
サニタリーハンドル	-	Refer the table
Sanitary Handle	-	Ver01
KAWAJUN 河渾株式会社	Dim	Geo
	s= 1:1	外形図

2022-03-14 11:47:28 SH-016_3_drawing_EN