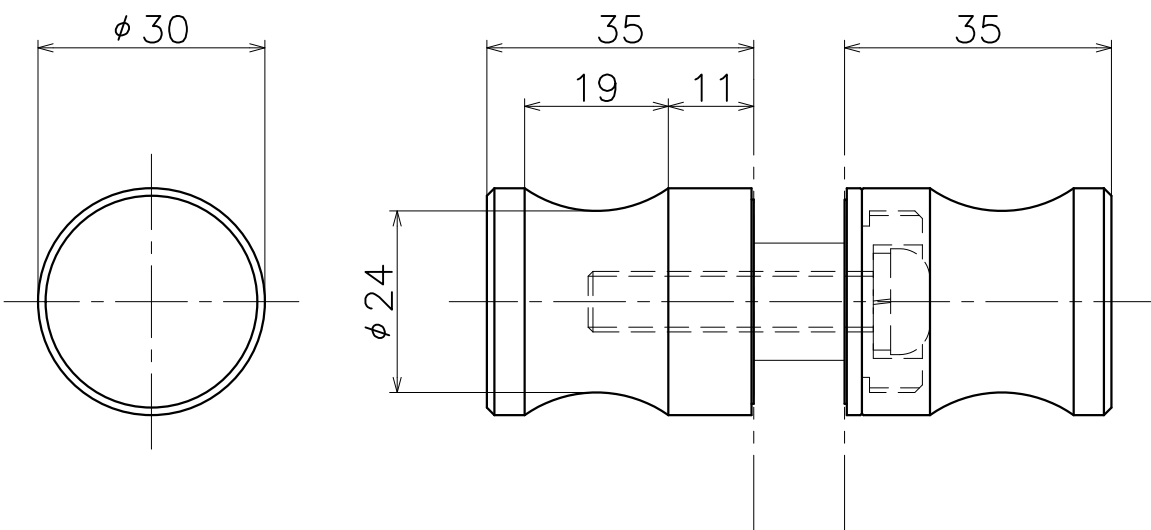
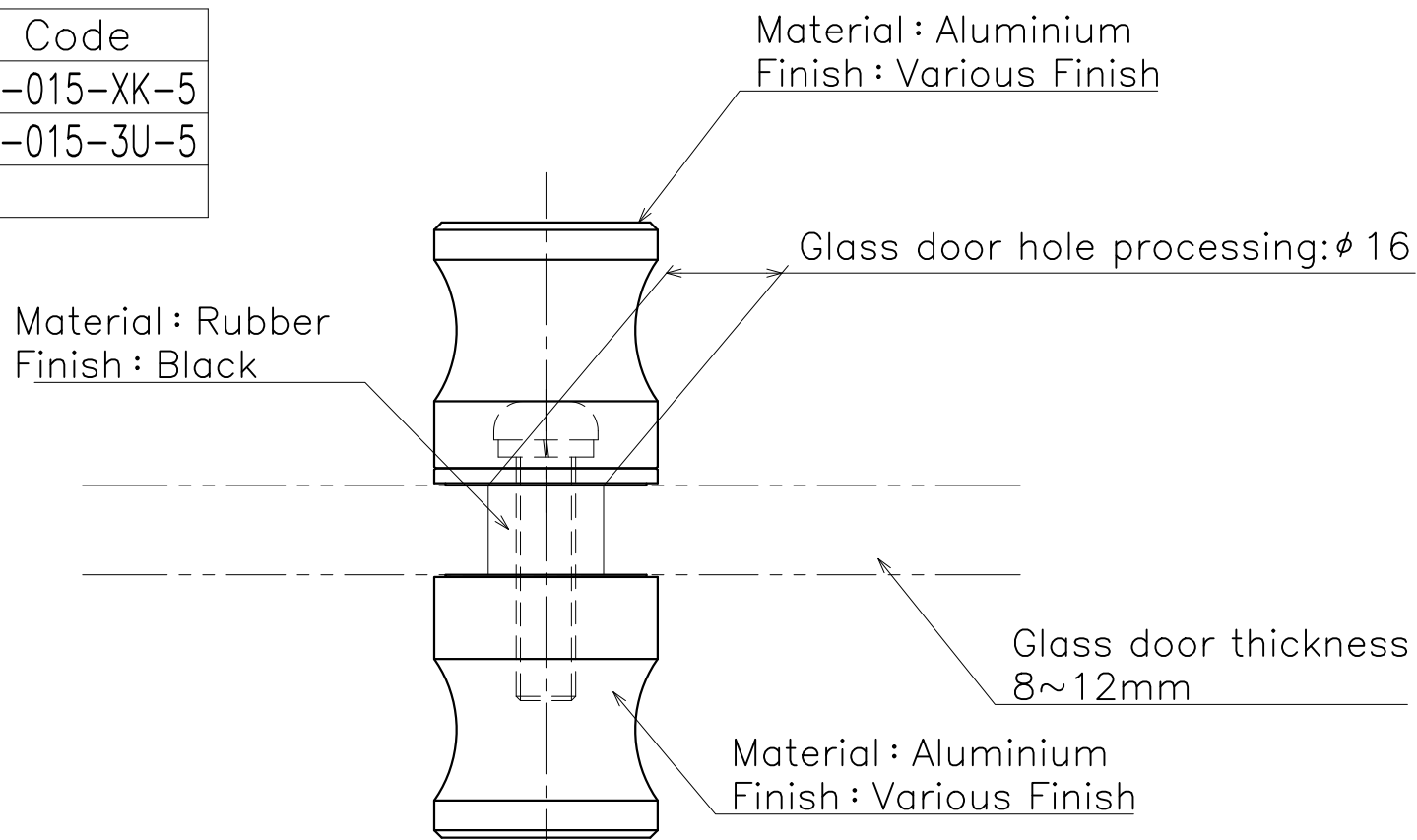


Ver	Date	Engineering change notice	Dwg	App
1	0000/00/00	新規出図	Y.Aizawa	Y.Aizawa

SH-015-XX-5

Finish:Leg	Code
Blasted Black	SH-015-XX-5
Satin Bronze	SH-015-3U-5



Product name		Name		Code	
サニタリーハンドル		-		Refer the table	
Sanitary Handle		-		Ver01	
KAWAJUN 河渾株式会社		Dim	Geo	s= 1:1	外形図

2022-03-14 11:11:27 SH-015_5_drawing_EN