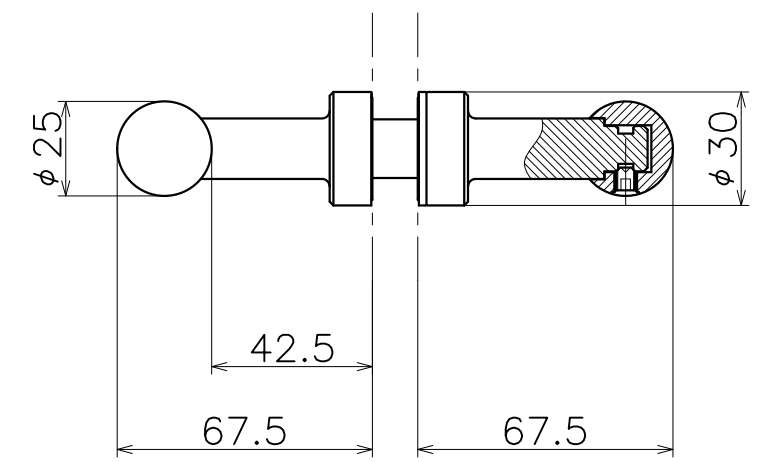
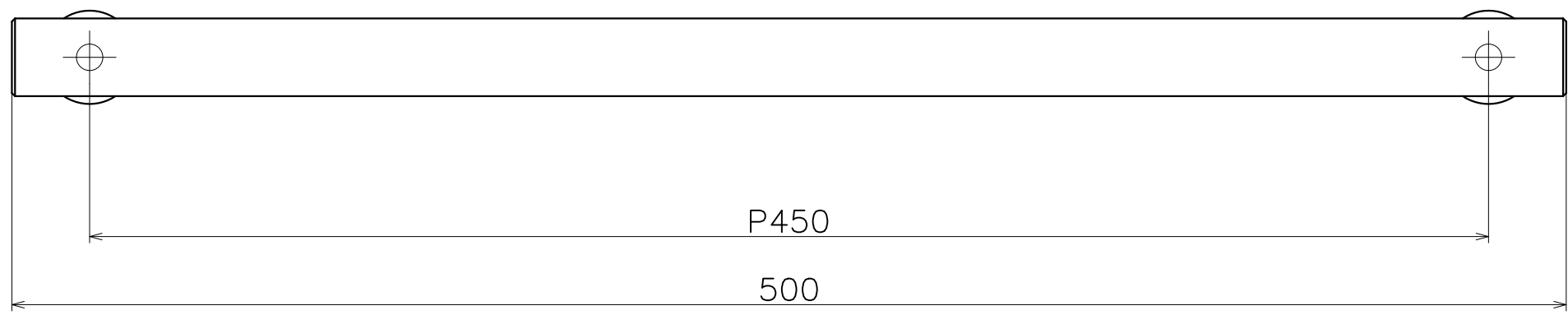
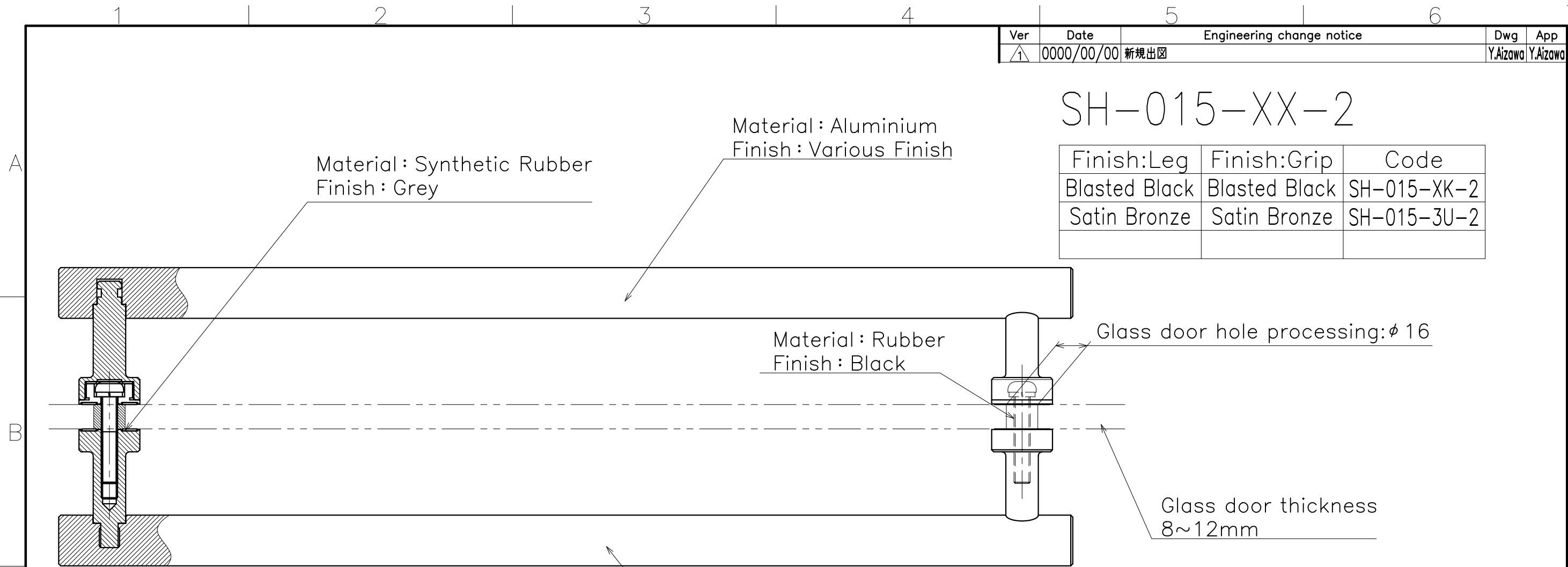


Ver	Date	Engineering change notice	Dwg	App
1	0000/00/00	新規出図	Y.Aizawa	Y.Aizawa

SH-015-XX-2

Finish:Leg	Finish:Grip	Code
Blasted Black	Blasted Black	SH-015-XK-2
Satin Bronze	Satin Bronze	SH-015-3U-2



(S=1:2)

Product name	Name	Code
サニタリーハンドル	-	Refer the table
Sanitary Handle	-	Ver01
KAWAJUN 河渾株式会社	Dim	Geo
	s= 1:1	外形図

2022-03-14 11:11:42 SH-015_2_drawing_EN