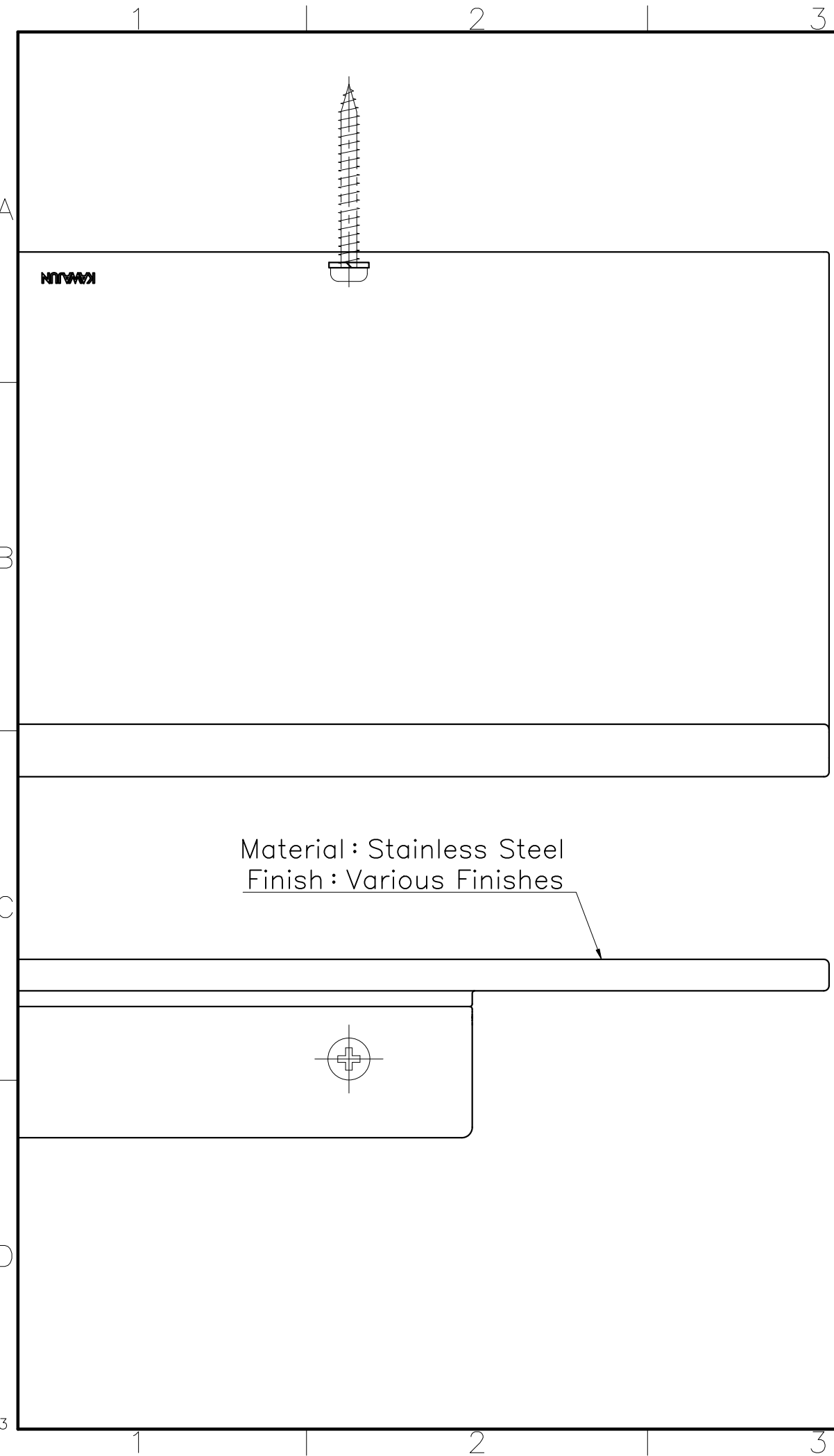
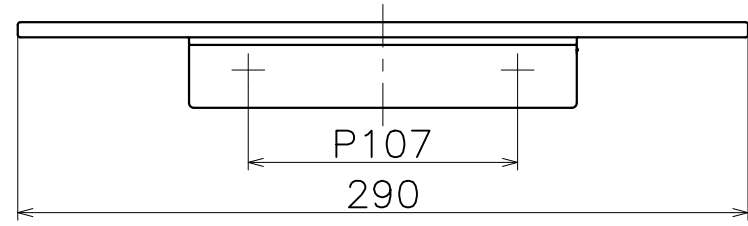
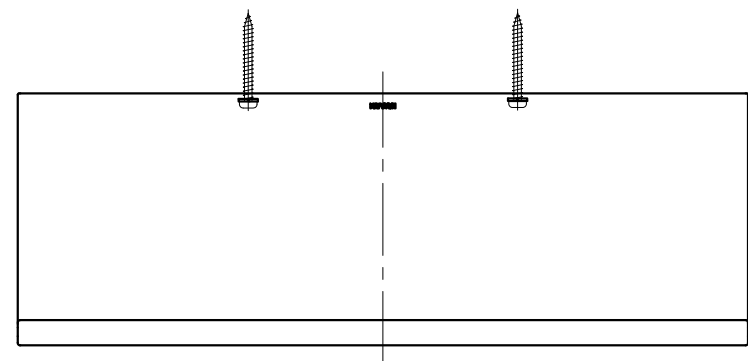


| | | | | |
|-----|------------|---------------------------|---------|---------|
| Ver | Date | Engineering change notice | Dwg | App |
| 1 | 0000/00/00 | 新規出図 | KAWAJUN | KAWAJUN |

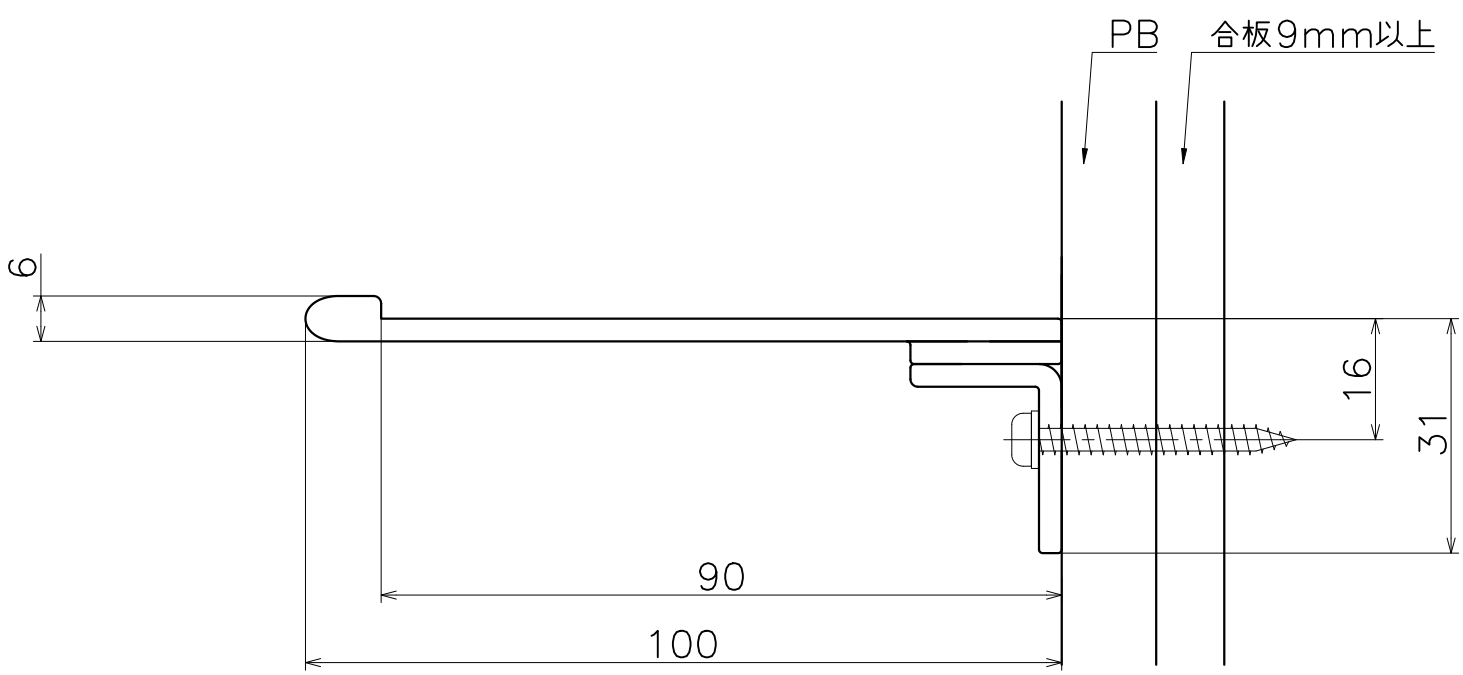


SE-224-X

| Finish | Code |
|---------------------|------------|
| Mirror | SE-224-XP |
| Brushed | SE-224-XT |
| Lumi Gold | SE-224-P01 |
| Lumi Rose Gold | SE-224-P02 |
| Lumi Champagne Gold | SE-224-P05 |
| Lumi Black | SE-224-P07 |



(S=1:3)



| Product name | Name | Code |
|-----------------------|--------|-------|
| シェルフ | - | 表参照 |
| Shelf | - | Ver01 |
| KAWAJUN 河淳株式会社 | Dim | Geo |
| | s= 1:1 | 外形図 |