

## Pull Knob Installation Instruction Sheet

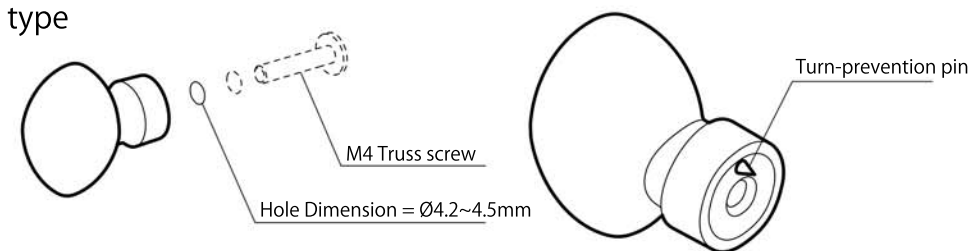
# PK (Pull Knob)

**KAWAJUN**  
www.kawajun.co.jp

### Introduction:

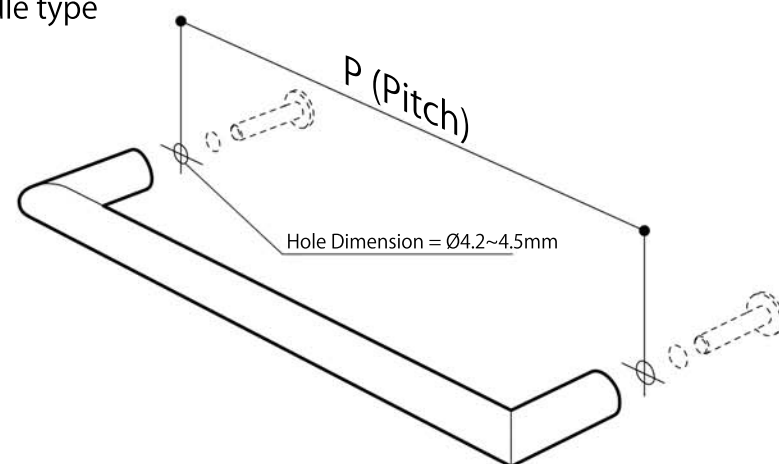
- \* There are 2 types of PK: Knob and Handle
- \* Installation Screws used are M4 Truss.
- (Length = Door Thickness + 6mm)
- \* Take note of pitch dimension when opening holes for handle type.
- \* Recommended hole diameter is  $\varnothing 4.2\sim 4.5\text{mm}$ .

### Knob type



⚠ Do note that the turn-prevention pin will leave a mark on hard laminated surface.

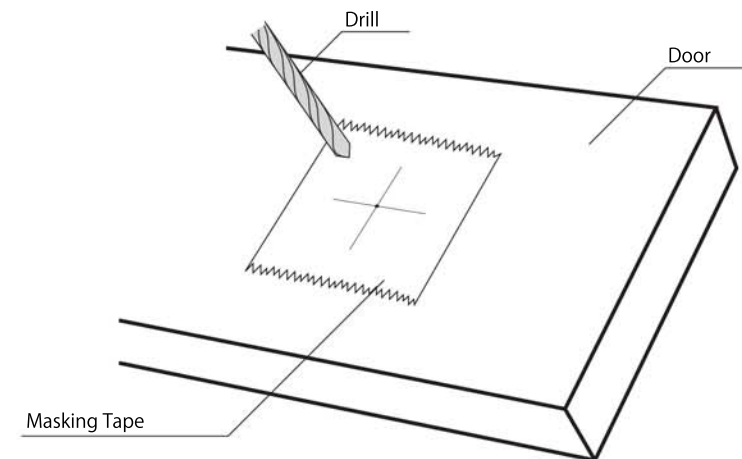
### Handle type



⚠ Please ensure that pitch dimension is correct. Otherwise, the hole that was opened wrongly will be seen, or pull knob cannot be installed properly, etc.

### How to open hole:

- \* When opening hole on laminated surface, there may be splinters around the edges of the hole, and the surface may get dirty.
- \* To minimise this, cover the intended hole position with a masking tape and drill. This will decrease the chance of splintering.



### ⚠ Caution: About installation

- \* This product is for indoor-usage only. Do not install it outdoors.
- \* The load capacity is 5kgf. Do not load items heavier than the stated load capacity.
- \* Do not use gasoline (Benzene), thinner, alcohol, acidic/alkaline based detergent and/or cleanser to clean the product.
- \* Wipe with a soft, damp cloth. When necessary, wipe a damp cloth with mild detergent and finish with a soft, dry cloth.