

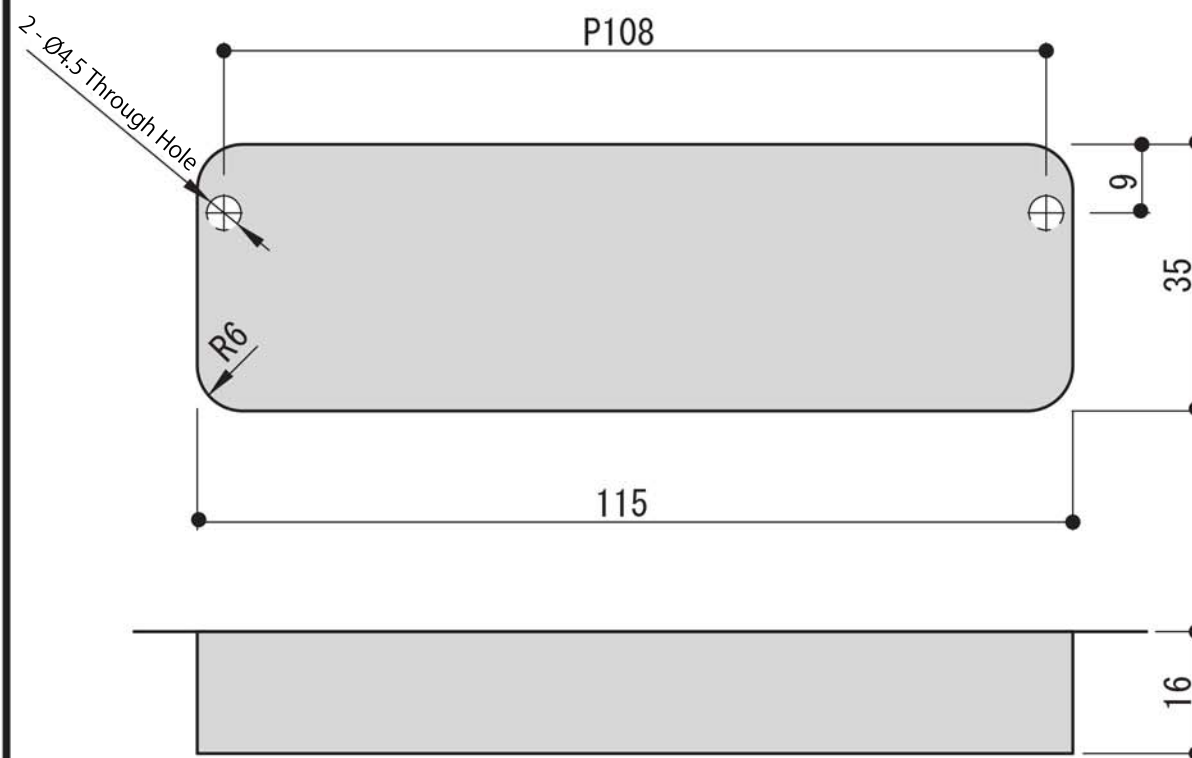
Recessed Handle Installation Instruction Sheet

PC-414M

* Please be sure to read before installing product.

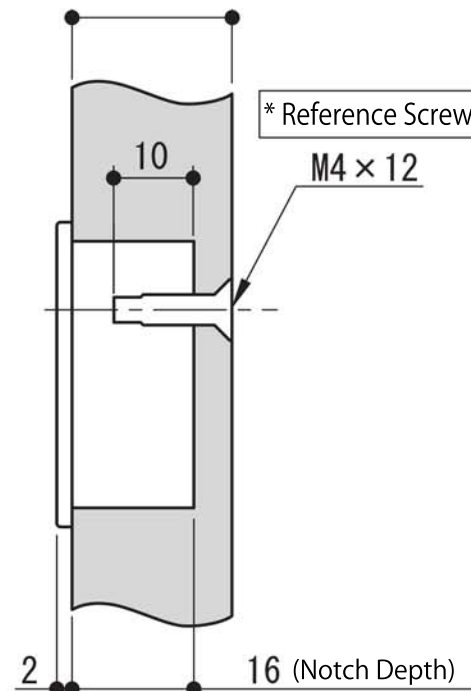
* Do not dispose the installation sheet after installation, instead please pass it to the product user.

PC-414M Notch Dimension



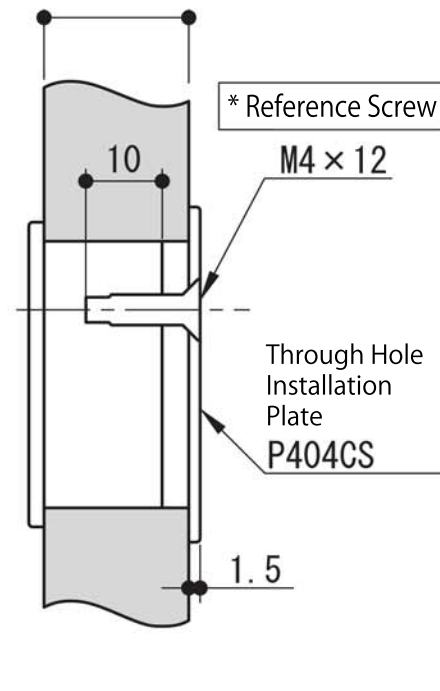
Notch Hole Installation

Cabinet Thickness: 21~23mm



Through Hole Installation

Cabinet Thickness: 18~21 mm



* Method to calculate screw length (unit: mm)
 Notch Hole Installation: Door Thickness - 16 + 4~6
 Through Hole Installation: Door Thickness - 16 + 3~8

⚠ Caution: About installation

* Product will be loose if installed in a notch that is bigger than what is stated.
 ** Do not install product onto a hollow door.

* Although this is the recommended dimension, do note that adjustments may be needed depending on the material of the door.

* After installation, please check to ensure product has been installed securely.