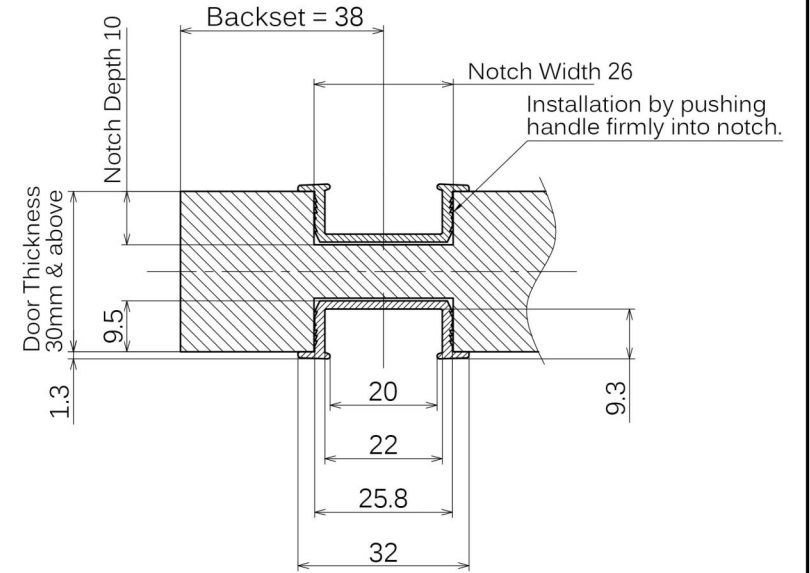
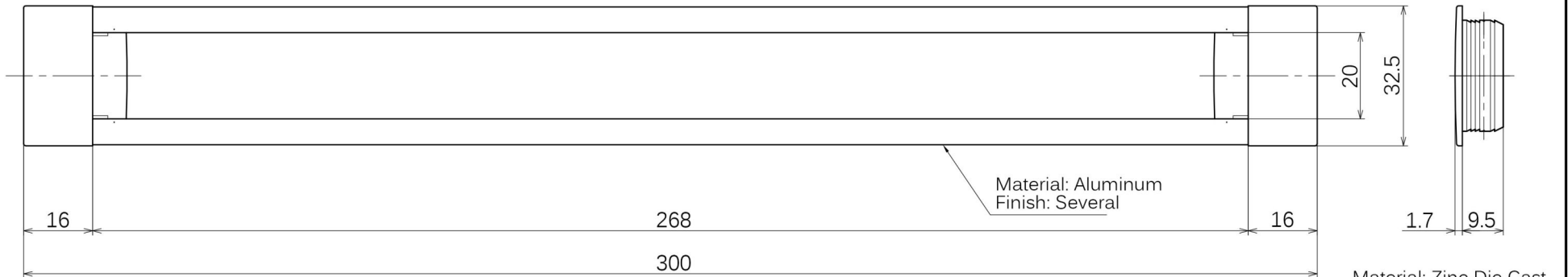


Notch Cutting Dimension (S=1:2)



Frontal Appearance



Back View

