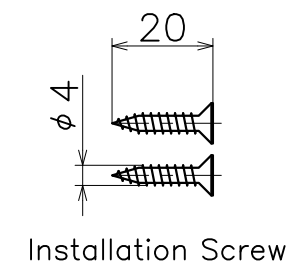
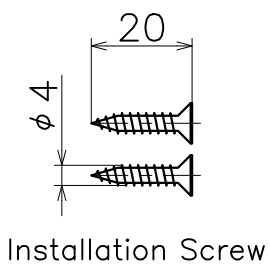
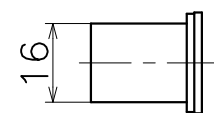
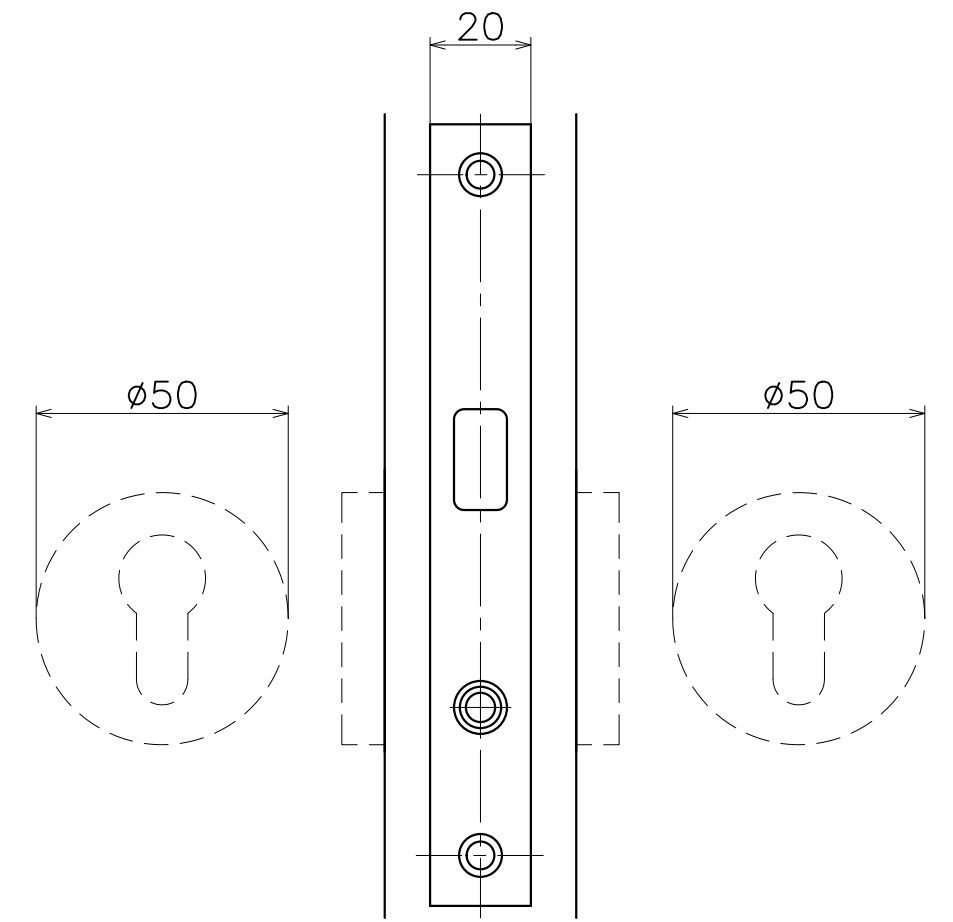
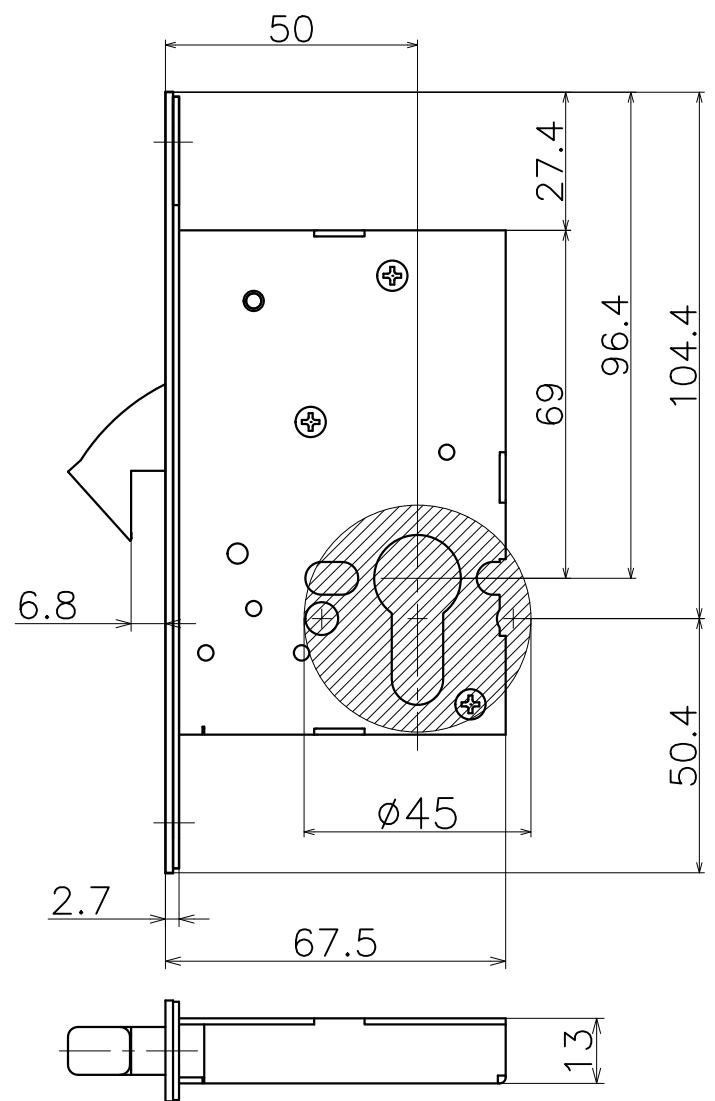
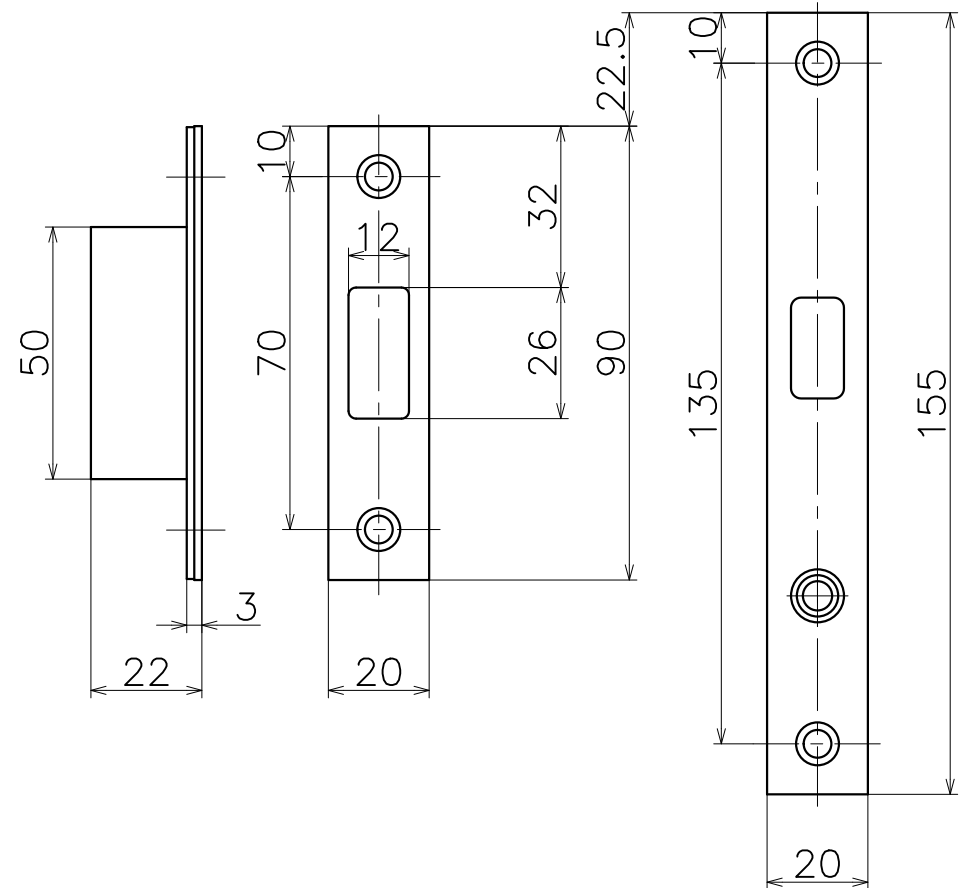


KZK2

| Ver | Date | Engineering change notice | Dwg | App |
|-----|------------|---------------------------|---------|---------|
| 1 | 2020/12/11 | 新規出図 | KAWAJUN | KAWAJUN |
| 2 | 2021/02/02 | 寸法追加 | KAWAJUN | KAWAJUN |



| Product name | Name | Code |
|-----------------------|------------|--------------|
| 商品名 | 部品名/図面名 | - |
| Product Name | Parts Name | Ver02 |
| KAWAJUN 河渾株式会社 | Dim Geo | S= 1:1.5 外形図 |

2021-02-02 10:52:48 KZK2_approve