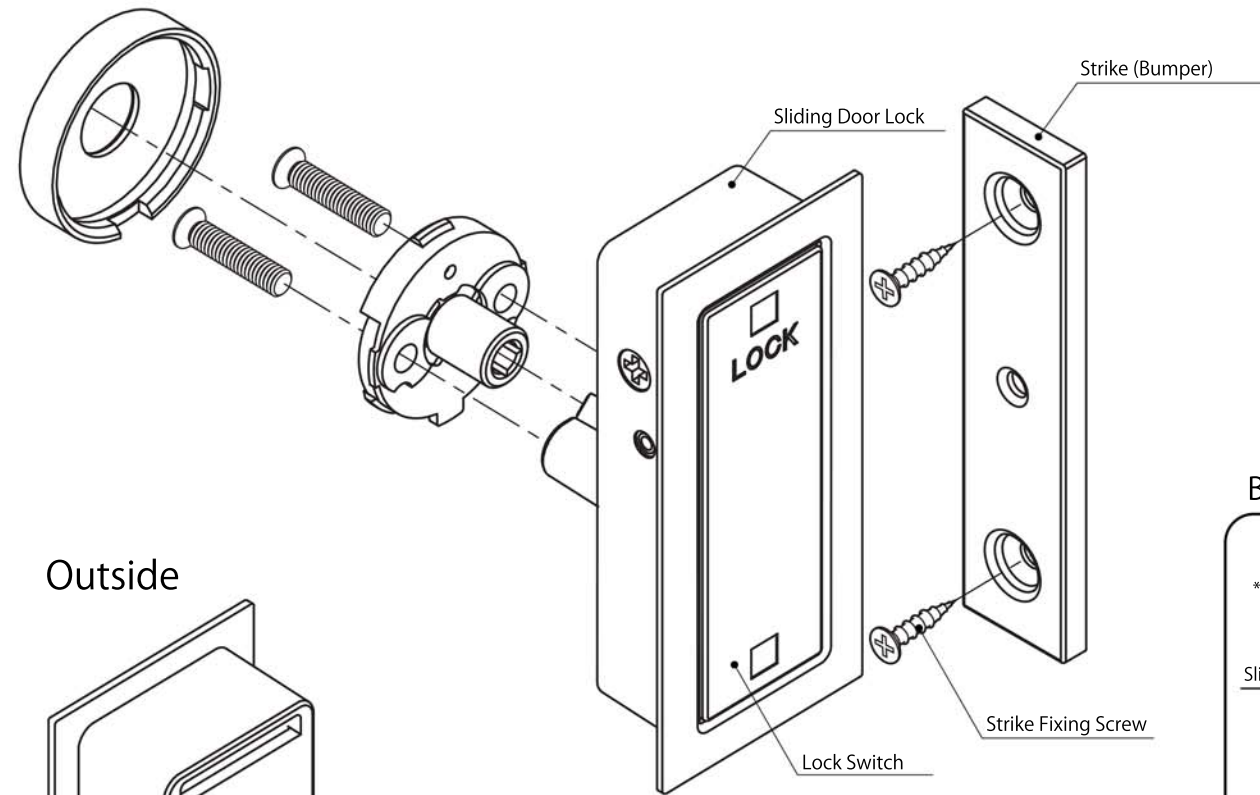
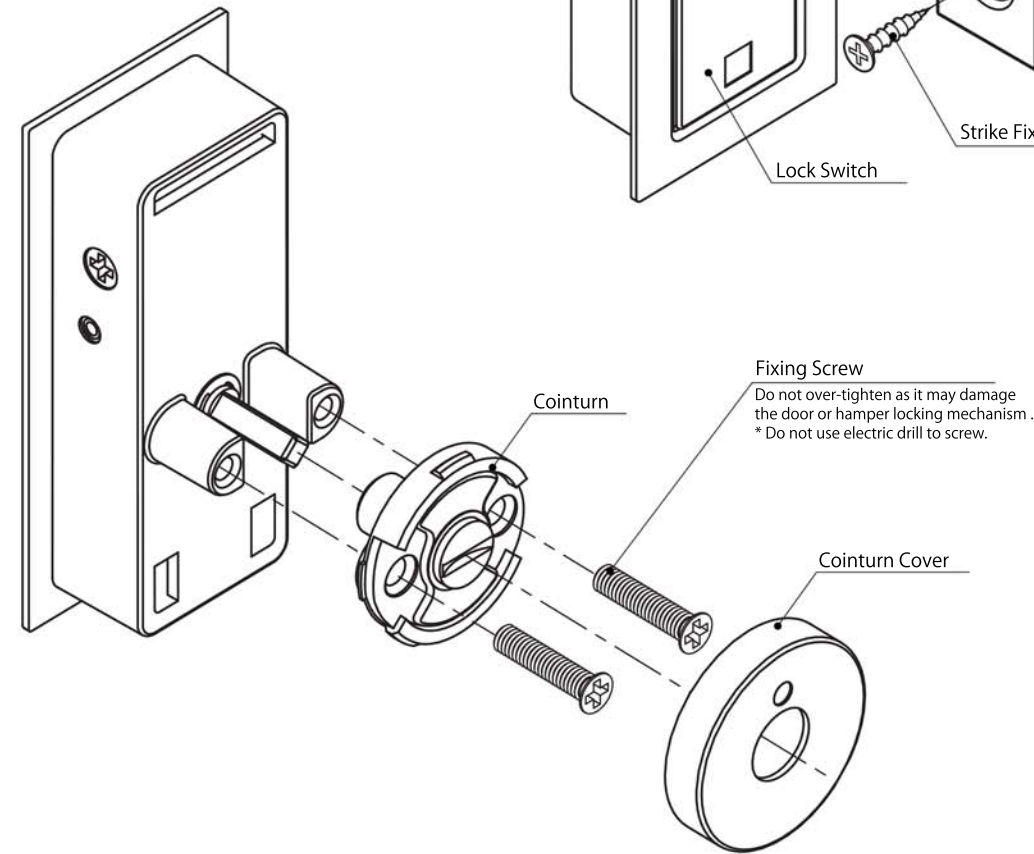


* Backset installation position will change depending on outset of door and width of door frame. Please refer to the attached dimensions for your reference.
 * Product can be installed on both left and right sliding doors.
 * Door thickness: 30~40mm
 * Please be sure to read before installing product.
 * Do not dispose installation sheet, instead, please pass it to product user.

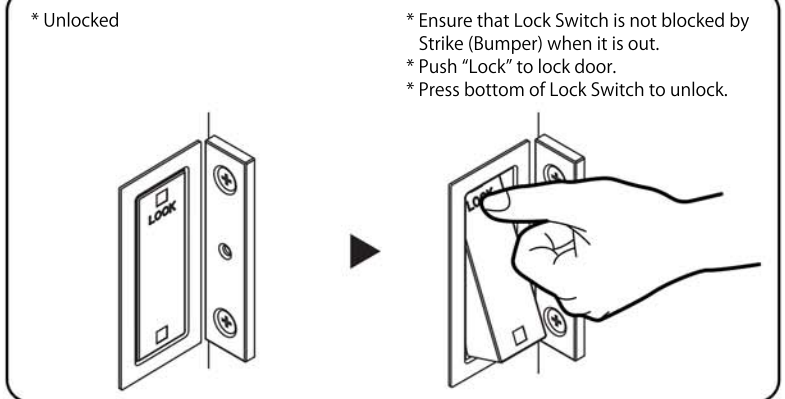
Inside



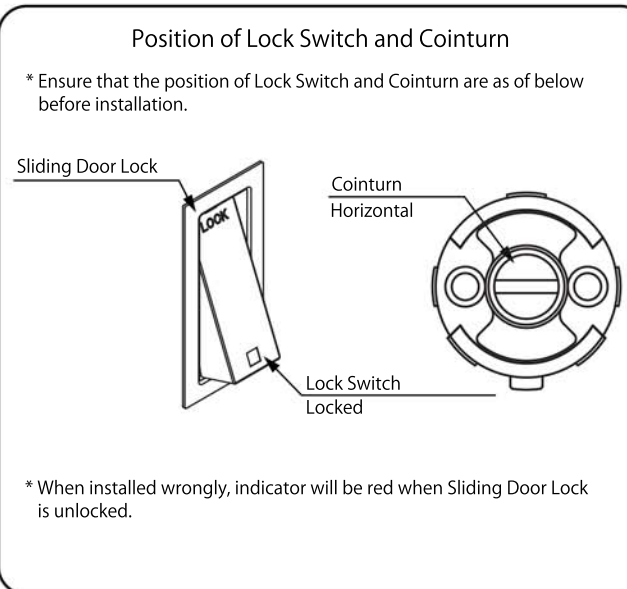
Outside



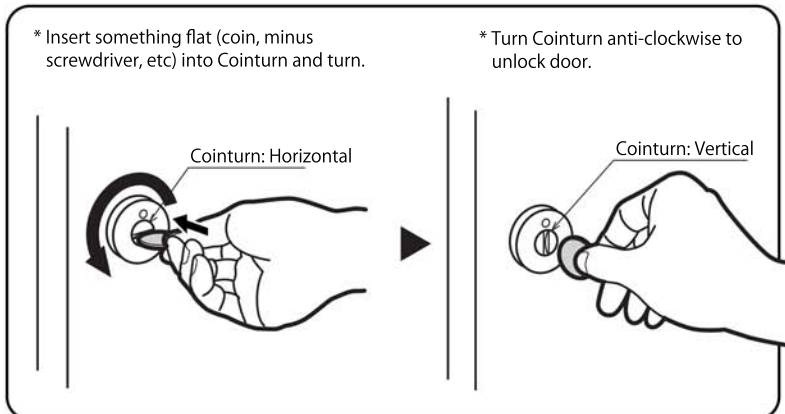
How To Lock



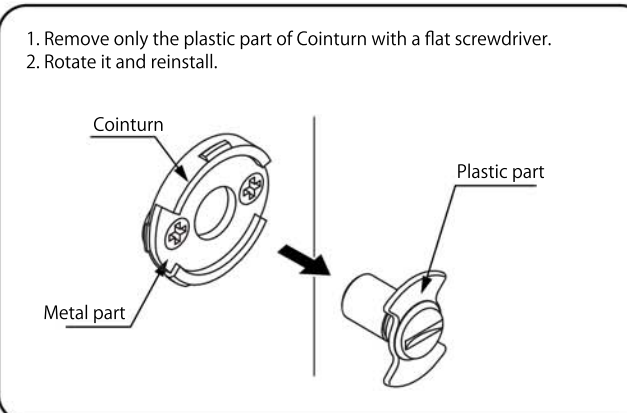
Before Installation



Emergency Release



Wrong Installation



About Product

- * This product is for indoor usage only.
- * This product is sold as a set and cannot be used with third-party parts.
- * Wipe with a soft, damp cloth. When necessary, wipe a damp cloth with mild detergent and finish with a soft, dry cloth. Do not use gasoline (Benzene), thinner, alcohol, or acidic/alkaline based detergent and/or cleanser to clean the product.

⚠ Safety Warning

- * Please be sure to read Installation Sheet before installation.
- * Do not dispose installation sheet, instead, please pass it to product user.
- * Do not use product for unintended purpose or application.
- * Do not install product outdoor or in places that has a high level of humidity level.
- * Do not load heavier than the stated load capacity.
- * Do not install product on heavy doors.

