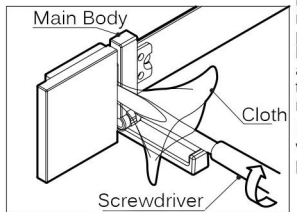
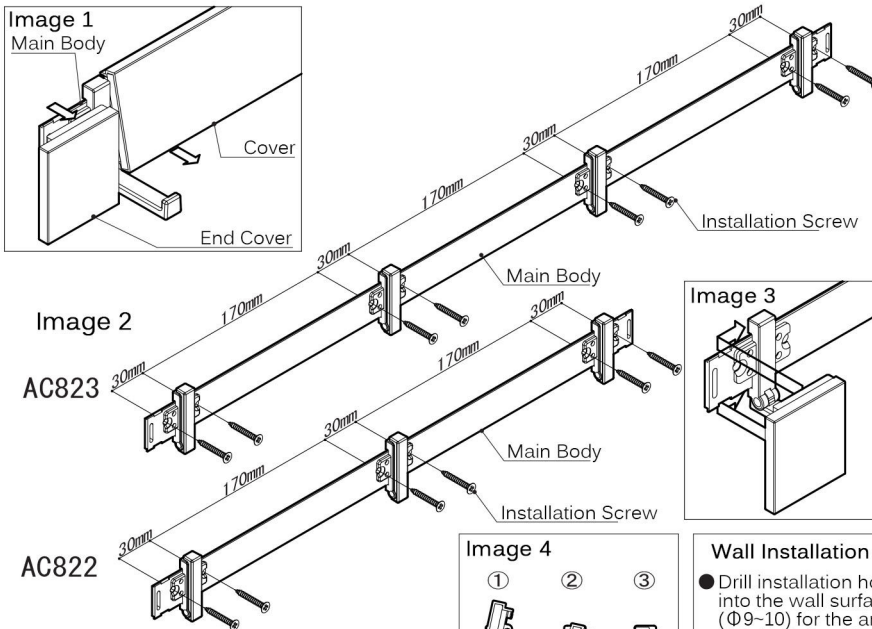
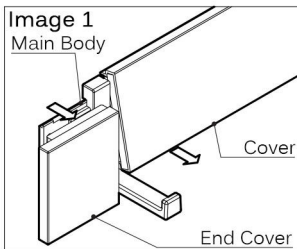


# Blind Hook Installation Instruction Manual

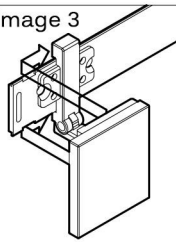
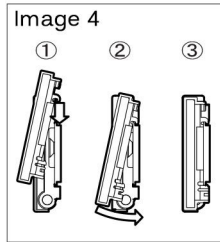
## AC822 - AC823

※Please read the installation sheet before product installation and also please do not discard instruction sheet after installation. Instead, please pass it to the end user for future reference sake.



● When removing the end cover, it is recommended to place a driver between the hook and the end cover to aid in the removal.

※ To avoid scratching the surface, please wrap the driver with a piece of cloth, etc as protection.



### ◎ Installation Sequence

- ① Removal of the cover and end cover. (Image 1)
  1. To remove the cover pull on the bottom of the cover in the direction towards the body.
  2. The end cover is secured by tape to the main body of the hook. Remove the tape to remove the end cover.
- ② Decide on the installation location and secure the main body of the hook with the installation screws provided. (Image 2)
- ③ Slide the end cover in horizontally. (Image 3)
- ④ Hook the cover onto the gap on the top part of the main body, then press down on the bottom part of the main body to lock the cover in place. (Image 4)

### ⚠ Product Installation

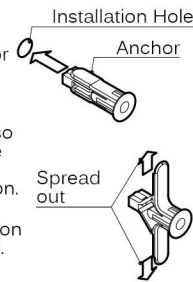
- For installation on plaster board, please have at least a minimum 9mm thick reinforcement board for additional support.
- Please do not install product directly onto hollow spaces of concrete blocks or ALC material.
- After installation, please check product once more to make sure product has been firmly secured. If product is not firmly installed, product might wobble or there might be a risk of product dropping off, resulting in injuries.
- Please avoid installation of product in outdoor places and or humid places that comes in contact with water constantly. Possible risk of product rusting, breakage and injury to product user might occur.

### ⚠ Product Usage

- Product load capacity is 5kgf per hook. (Which is 15kgf for AC822 and 20kgf for AC823 in total) Any load heavier than what is stated might cause damage to the product and injuries.
- Please do not use product for unintended purposes or application. Product failure may result in injuries.

### Wall Installation without Reinforcement

- Drill installation holes into the wall surface (Φ9-10) for the anchor (AC-1028-B sold separately).
- Insert the anchor into the installation holes so that the anchor will be able to spread out as shown in the illustration.
- Complete installation based on the installation sequence instructions. Please use plaster boards that are 9-12.5mm thick.



**KAWAJUN**  
www.kawajun.co.jp

NO. 004